

# MAXIMA

*Reserve roll toilet tissue dispenser*



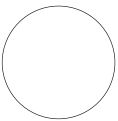
MAXIMA is a reserve roll toilet roll dispenser ideal for high traffic environments. The unit accommodates any toilet roll with a core diameter of 56 – 72mm and with an external diameter up to 280mm.

MAXIMA incorporates intelligent features for service such as a special shield which automatically prevents access to the new roll until the original roll is finished. Thanks to this feature paper savings of up to 20% can be achieved.

MAXIMA also includes features such as a practical inspection window to show when a refill is required and a removable braking system which aids consumable control and minimizes waste.



## Finishes available



*Classic White*

## Benefits

### Control of Consumables

- > A special shield automatically prevents access to the new roll until the original roll is finished
- > Removable braking system means minimal waste

### Ease of Service

- > Hinged cover for convenience and speed of service
- > Practical inspection window shows when a refill is required
- > One security key for the whole Kennedy range
- > Angled top of dispenser to prevent cigarette burn damage

### End User Satisfaction

- > Hygienic full cover offering tissue protection
- > Serrated paper tear-off from either side of the unit

For more information  
[www.kennedy-hygiene.co.uk](http://www.kennedy-hygiene.co.uk)

# MAXIMA

Reserve roll toilet tissue dispenser



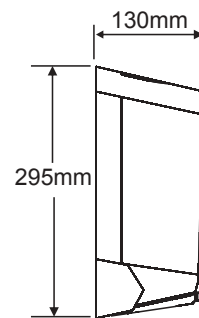
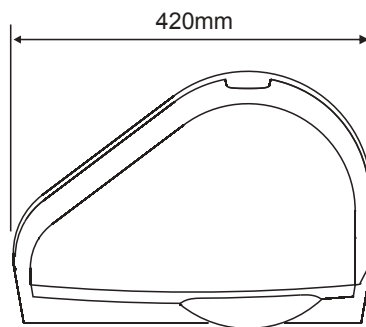
## Packaging info

	Packed	Qty Per	Weight/Kg	Measurement in cm
MAXIMA	Carton	4	6.83	56 x 43 x 31

## Technical drawings

**Materials:** Constructed mainly from ABS, as well as other engineering thermoplastics, such as Acetal and Polypropylene. Dispenser can be recycled or disposed of in accordance with local regulations.

**Packing:** Individual units packed in polythene bags with cardboard dividers in between them.



## Consumables

Mini jumbo toilet tissue rolls

### Kennedy Hygiene Products Limited

Brookside

Uckfield

East Sussex TN22 1YA

United Kingdom

**T** +44 (0) 1825 768141

**F** +44 (0) 1825 768143

**E** [sales@kennedy-hygiene.com](mailto:sales@kennedy-hygiene.com)

